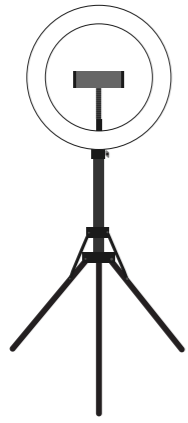


**LED RING LIGHT**

**SpotLight Steady 120**



Hama GmbH & Co KG  
86652 Monheim / Germany

**Service & Support**

www.hama.com

+49 9091 502-0

D GB



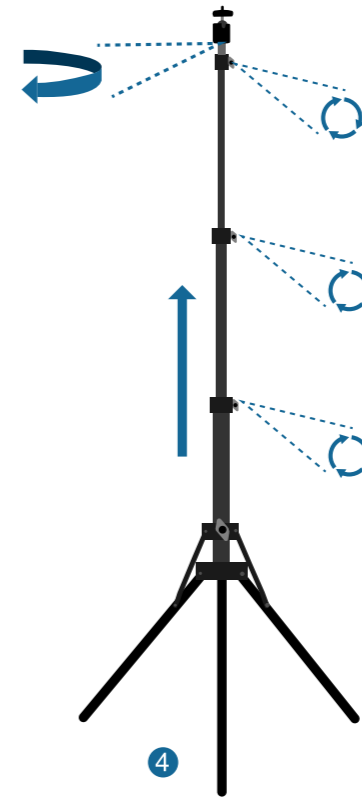
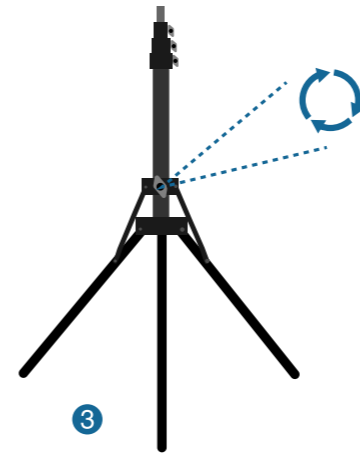
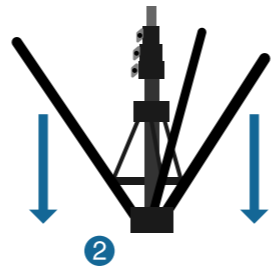
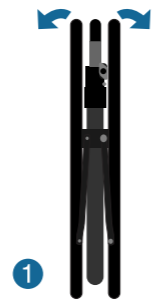
www.hama.com/nep



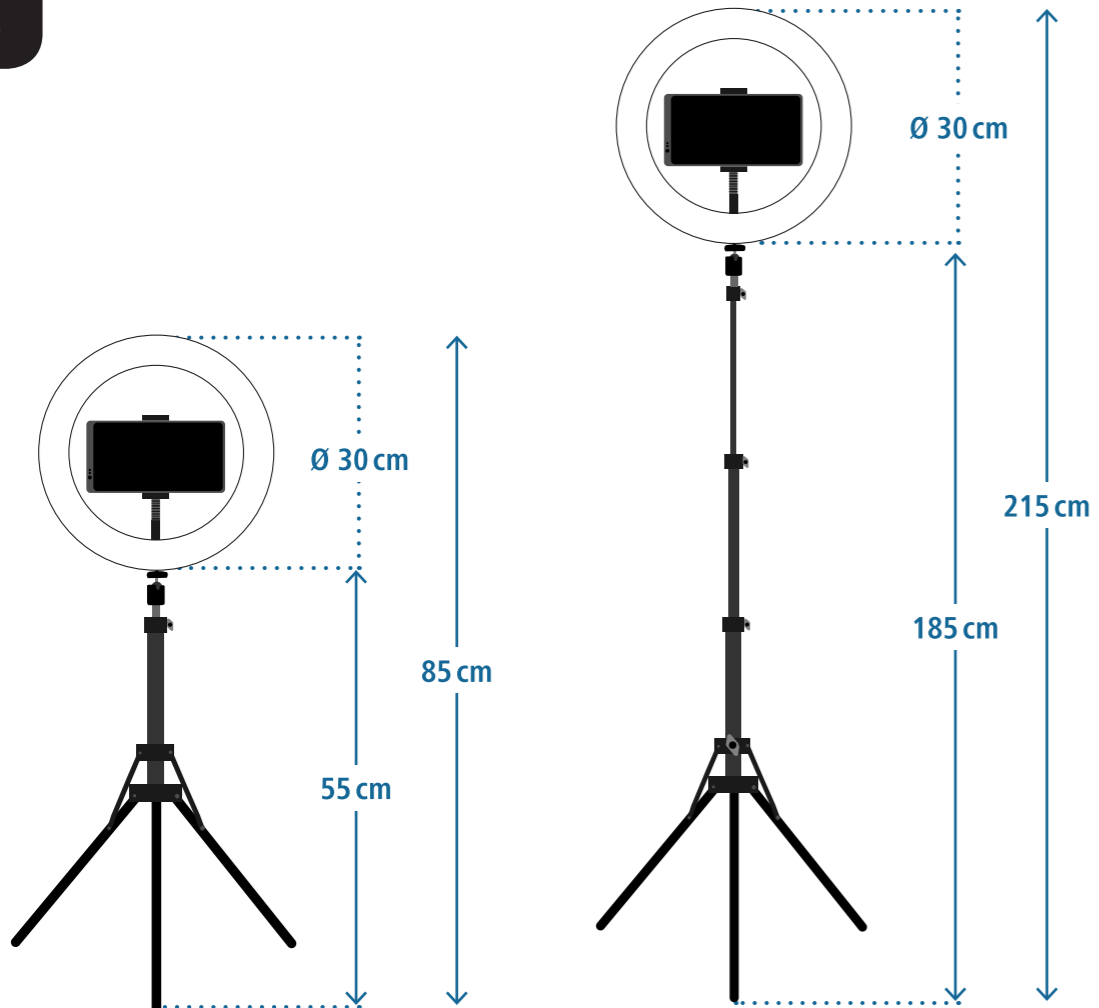
00004643/06.20

All listed brands are trademarks of the corresponding companies. Errors and omissions excepted, and subject to technical changes. Our general terms of delivery and payment are applied.

**A**



**B**



**C**

